



FLANGES



各類法蘭

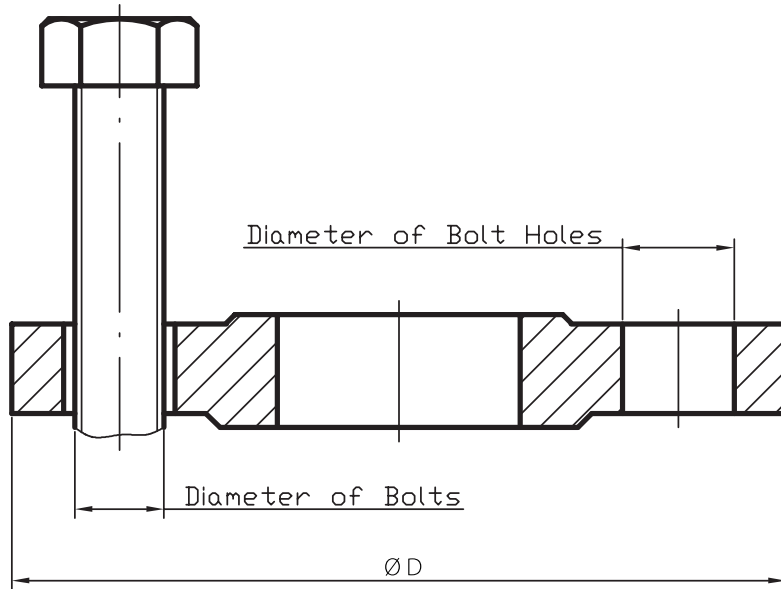
法蘭是一種用於連接管道、閘門、管件和其他設備的常見管道連接方式。法蘭通常由圓形的平板、帶有螺紋孔的環狀零件和螺栓組成，通過將兩個法蘭連接在一起，可以實現管道系統的連接和密封。

【特性】

- 耐高壓
- 耐高溫
- 連接功能
- 密封性

【應用範圍】

- 工業領域
- 包括石油和天然氣
- 化工
- 水處理
- 食品和製藥等
- 管道系統

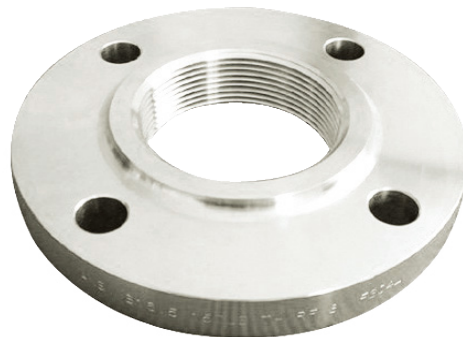


※ 各類型與材質皆可製作

03 FLANGES



帶頸平焊法蘭
SLIP-ON



螺紋法蘭
SCREWED



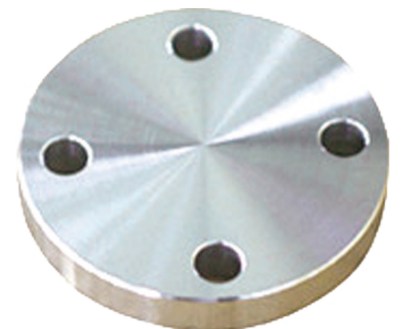
承插焊法蘭
SOCKET WELDING



帶頸對焊法蘭
WELDING NECK



對焊鬆套法蘭
LAP JOINT

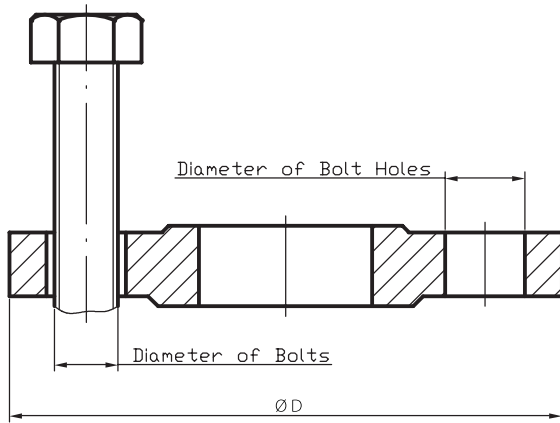


法蘭蓋
BLIND



ANSI FLANGES

美規法蘭



(單位: mm)

	Nominal Size	ØD	Number of Bolts	Diameter of Bolts	Diameter of Bolt Holes
美規600LB	1/2"	95	4	1/2"	15.9
	3/4"	115	4	5/8"	19.1
	1"	125	4	5/8"	19.1
	1-1/4"	135	4	5/8"	19.1
	1-1/2"	155	4	3/4"	22.2
	2"	165	8	5/8"	19.1
	2-1/2"	190	8	3/4"	22.2
	3"	210	8	3/4"	22.2
	4"	275	8	7/8"	25.4
	5"	330	8	1"	28.6
	6"	355	12	1"	28.6
	8"	420	12	1-1/8"	31.8
	10"	510	16	1-1/4"	34.9
	12"	560	20	1-1/4"	34.9
	14"	605	20	1-3/8"	38.1
	16"	685	20	1-1/2"	41.3
18"	745	20	1-5/8"	44.5	
20"	815	24	1-5/8"	44.5	
24"	940	24	1-7/8"	50.8	

	Nominal Size	ØD	Number of Bolts	Diameter of Bolts	Diameter of Bolt Holes
美規150LB	1/2"	90	4	1/2"	15.9
	3/4"	100	4	1/2"	15.9
	1"	110	4	1/2"	15.9
	1-1/4"	115	4	1/2"	15.9
	1-1/2"	125	4	1/2"	15.9
	2"	150	4	5/8"	19.1
	2-1/2"	180	4	5/8"	19.1
	3"	190	4	5/8"	19.1
	4"	230	8	5/8"	19.1
	5"	255	8	3/4"	22.2
	6"	280	8	3/4"	22.2
	8"	345	8	3/4"	22.2
	10"	405	12	7/8"	25.4
	12"	485	12	7/8"	25.4
	14"	535	12	1"	28.6
	16"	595	16	1"	28.6
18"	635	16	1-1/8"	31.8	
20"	700	20	1-1/8"	31.8	
24"	815	20	1-1/4"	34.9	

	Nominal Size	ØD	Number of Bolts	Diameter of Bolts	Diameter of Bolt Holes
美規900LB	1/2"	120	4	3/4"	22.2
	3/4"	130	4	3/4"	22.2
	1"	150	4	7/8"	25.4
	1-1/4"	160	4	7/8"	25.4
	1-1/2"	180	4	1"	28.6
	2"	215	8	7/8"	25.4
	2-1/2"	245	8	1"	28.6
	3"	240	8	7/8"	25.4
	4"	290	8	1-1/8"	31.8
	5"	350	8	1-1/4"	34.9
	6"	380	12	1-1/8"	31.8
	8"	470	12	1-3/8"	38.1
	10"	545	16	1-3/8"	38.1
	12"	610	20	1-3/8"	38.1
	14"	640	20	1-1/2"	41.3
	16"	705	20	1-5/8"	44.5
18"	785	20	1-7/8"	50.8	
20"	855	20	2"	54.0	
24"	1040	20	2-1/2"	66.7	

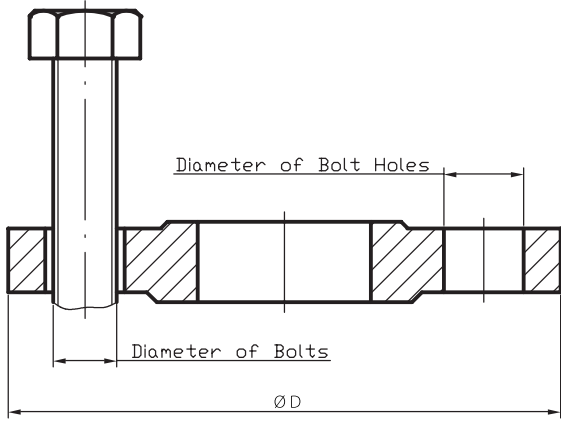
	Nominal Size	ØD	Number of Bolts	Diameter of Bolts	Diameter of Bolt Holes
美規300LB	1/2"	95	4	1/2"	15.9
	3/4"	115	4	5/8"	19.1
	1"	125	4	5/8"	19.1
	1-1/4"	135	4	5/8"	19.1
	1-1/2"	155	4	3/4"	22.2
	2"	165	8	5/8"	19.1
	2-1/2"	190	8	3/4"	22.2
	3"	210	8	3/4"	22.2
	4"	255	8	3/4"	22.2
	5"	280	8	3/4"	22.2
	6"	320	12	3/4"	22.2
	8"	380	12	7/8"	25.4
	10"	445	16	1"	28.6
	12"	520	16	1-1/8"	31.8
	14"	585	20	1-1/8"	31.8
	16"	650	20	1-1/4"	34.9
18"	710	24	1-1/4"	34.9	
20"	775	24	1-1/4"	34.9	
24"	915	24	1-1/2"	41.3	

	Nominal Size	ØD	Number of Bolts	Diameter of Bolts	Diameter of Bolt Holes
美規1500LB	1/2"	120	4	3/4"	22.2
	3/4"	130	4	3/4"	22.2
	1"	150	4	7/8"	25.4
	1-1/4"	160	4	7/8"	25.4
	1-1/2"	180	4	1"	28.6
	2"	215	8	7/8"	25.4
	2-1/2"	245	8	1"	28.6
	3"	265	8	1-1/8"	31.8
	4"	310	8	1-1/4"	34.9
	5"	375	8	1-1/2"	41.3
	6"	395	12	1-3/8"	38.1
	8"	485	12	1-5/8"	44.5
	10"	585	12	1-7/8"	50.8
	12"	675	16	2"	54
	14"	750	16	2-1/4"	60.3
	16"	825	16	2-1/2"	66.7
18"	915	16	2-3/4"	73	
20"	985	16	3"	79.4	
24"	1170	16	3-1/2"	92.1	



JIS FANGES

日規法蘭



(單位: mm)

	Nominal Size		ØD	Number of Bolts	Diameter of Bolts	Diameter of Bolt Holes
日規5K	10	3/8"	75	4	M10	12
	15	1/2"	80	4	M10	12
	20	3/4"	85	4	M10	12
	25	1	95	4	M10	12
	32	1-1/4"	115	4	M12	15
	40	1-1/2"	120	4	M12	15
	50	2"	130	4	M12	15
	65	2-1/2"	155	4	M12	15
	80	3"	180	4	M16	19
	100	4"	200	8	M16	19
	125	5"	235	8	M16	19
	150	6"	265	8	M16	19
	200	8"	320	8	M20	23
	250	10"	385	12	M20	23
	300	12"	430	12	M20	23
	350	14"	480	12	M22	25
	400	16"	540	16	M22	25
450	18"	605	16	M22	25	
500	20"	655	20	M22	25	
550	22"	720	20	M24	27	
600	24"	770	20	M24	27	

	Nominal Size		ØD	Number of Bolts	Diameter of Bolts	Diameter of Bolt Holes
日規16K	10	3/8"	90	4	M12	15
	15	1/2"	95	4	M12	15
	20	3/4"	100	4	M12	15
	25	1	125	4	M16	19
	32	1-1/4"	135	4	M16	19
	40	1-1/2"	140	4	M16	19
	50	2"	155	8	M16	19
	65	2-1/2"	175	8	M16	19
	80	3"	200	8	M20	23
	100	4"	225	8	M20	23
	125	5"	270	8	M22	25
	150	6"	305	12	M22	25
	200	8"	350	12	M22	25
	250	10"	430	12	M24	27
	300	12"	480	16	M24	27
	350	14"	540	16	M30	33
	400	16"	605	16	M30	33
450	18"	675	20	M30	33	
500	20"	730	20	M30	33	
550	22"	795	20	M36	39	
600	24"	845	24	M36	39	

	Nominal Size		ØD	Number of Bolts	Diameter of Bolts	Diameter of Bolt Holes
日規10K	10	3/8"	90	4	M12	15
	15	1/2"	95	4	M12	15
	20	3/4"	100	4	M12	15
	25	1	125	4	M16	19
	32	1-1/4"	135	4	M16	19
	40	1-1/2"	140	4	M16	19
	50	2"	155	4	M16	19
	65	2-1/2"	175	4	M16	19
	80	3"	185	8	M16	19
	100	4"	210	8	M16	19
	125	5"	250	8	M20	23
	150	6"	280	8	M20	23
	200	8"	330	12	M20	23
	250	10"	400	12	M22	25
	300	12"	445	16	M22	25
	350	14"	490	16	M22	25
	400	16"	560	16	M24	27
450	18"	620	20	M24	27	
500	20"	675	20	M24	27	
550	22"	745	20	M30	33	
600	24"	795	24	M30	33	

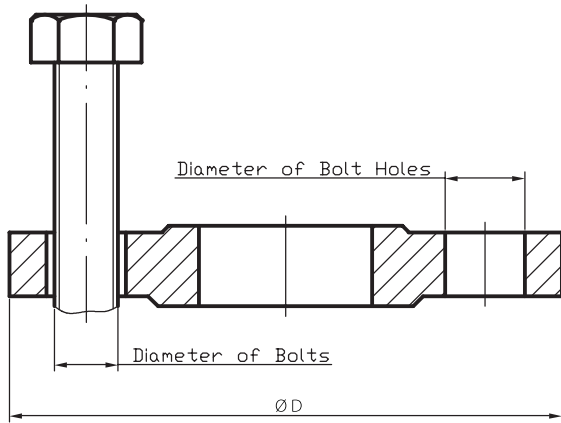
	Nominal Size		ØD	Number of Bolts	Diameter of Bolts	Diameter of Bolt Holes
日規20K	10	3/8"	90	4	M12	15
	15	1/2"	95	4	M12	15
	20	3/4"	100	4	M12	15
	25	1	125	4	M16	19
	32	1-1/4"	135	4	M16	19
	40	1-1/2"	140	4	M16	19
	50	2"	155	8	M16	19
	65	2-1/2"	175	8	M16	19
	80	3"	200	8	M20	23
	100	4"	225	8	M20	23
	125	5"	270	8	M22	25
	150	6"	305	12	M22	25
	200	8"	350	12	M22	25
	250	10"	430	12	M24	27
	300	12"	480	16	M24	27
	350	14"	540	16	M30	33
	400	16"	605	16	M30	33
450	18"	675	20	M30	33	
500	20"	730	20	M30	33	
550	22"	795	20	M36	39	
600	24"	845	24	M36	39	

03 FLANGES



DIN FANGES

德規法蘭



(單位: mm)

	Nominal Size	ØD	Number of Bolts	Diameter of Bolts	Diameter of Bolt Holes
德規PN16	10	90	4	M12	14
	15	95	4	M12	14
	20	105	4	M12	14
	25	115	4	M12	14
	32	140	4	M16	18
	40	150	4	M16	18
	50	165	4	M16	18
	65	185	4	M16	18
	80	200	8	M16	18
	100	220	8	M16	18
	125	250	8	M16	18
	150	285	8	M20	22
	200	340	12	M20	22
	250	405	12	M24	26
	300	460	12	M24	26
	350	520	16	M24	26
	400	580	16	M27	30
	500	715	20	M30	33
600	840	20	M33	36	

	Nominal Size	ØD	Number of Bolts	Diameter of Bolts	Diameter of Bolt Holes
德規PN6	10	75	4	M10	11.5
	15	80	4	M10	11.5
	20	90	4	M10	11.5
	25	100	4	M10	11.5
	32	120	4	M12	14
	40	130	4	M12	14
	50	140	4	M12	14
	65	160	4	M12	14
	80	190	4	M16	18
	100	210	4	M16	18
	125	240	8	M16	18
	150	265	8	M16	18
	200	320	8	M16	18
	250	375	12	M16	18
	300	440	12	M20	23
	350	490	12	M20	23
	400	540	16	M20	23
	500	645	20	M20	23
600	755	20	M24	27	

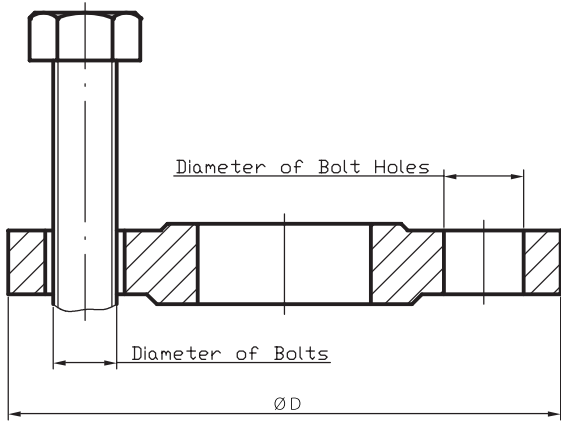
	Nominal Size	ØD	Number of Bolts	Diameter of Bolts	Diameter of Bolt Holes
德規PN25	10	90	4	M12	14
	15	95	4	M12	14
	20	105	4	M12	14
	25	115	4	M12	14
	32	140	4	M16	18
	40	150	4	M16	18
	50	165	4	M16	18
	65	185	8	M16	18
	80	200	8	M16	18
	100	235	8	M20	23
	125	270	8	M24	27
	150	300	8	M24	27
	200	360	12	M24	27
	250	425	12	M27	30
	300	485	16	M27	30
	350	555	16	M30	33
	400	620	16	M33	36
	500	730	20	M33	36
600	845	20	M36	39	

	Nominal Size	ØD	Number of Bolts	Diameter of Bolts	Diameter of Bolt Holes
德規PN10	10	90	4	M12	14
	15	95	4	M12	14
	20	105	4	M12	14
	25	115	4	M12	14
	32	140	4	M16	18
	40	150	4	M16	18
	50	165	4	M16	18
	65	185	4	M16	18
	80	200	8	M16	18
	100	220	8	M16	18
	125	250	8	M16	18
	150	285	8	M20	23
	200	340	8	M20	23
	250	395	12	M20	23
	300	445	12	M20	23
	350	505	16	M20	23
	400	565	16	M24	26
	500	670	20	M24	26
600	780	20	M27	30	

	Nominal Size	ØD	Number of Bolts	Diameter of Bolts	Diameter of Bolt Holes
德規PN40	10	90	4	M12	14
	15	95	4	M12	14
	20	105	4	M12	14
	25	115	4	M12	14
	32	140	4	M16	18
	40	150	4	M16	18
	50	165	4	M16	18
	65	185	8	M16	18
	80	200	8	M16	18
	100	235	8	M20	22
	125	270	8	M24	26
	150	300	8	M24	26
	200	375	12	M27	30
	250	450	12	M30	33
	300	515	16	M30	33
	350	580	16	M33	36
	400	660	16	M36	39
	500	755	20	M39	42

GB FANGES

國際規法蘭



(單位: mm)

	Nominal Size	ØD	Number of Bolts	Diameter of Bolts	Diameter of Bolt Holes
國規 PN1.0 Mpa	10	90	4	M12	14
	15	95	4	M12	14
	20	105	4	M12	14
	25	115	4	M12	14
	32	140	4	M16	18
	40	150	4	M16	18
	50	165	4	M16	18
	65	185	4	M16	18
	80	200	8	M16	18
	100	220	8	M16	18
	125	250	8	M16	18
	150	285	8	M20	22
	200	340	8	M20	22
	250	395	12	M20	22
	300	445	12	M20	22
350	505	16	M20	22	
400	565	16	M24	26	
450	615	20	M24	26	
500	670	20	M24	26	
600	780	20	M27	30	

	Nominal Size	ØD	Number of Bolts	Diameter of Bolts	Diameter of Bolt Holes
國規 PN2.5 Mpa	10	90	4	M12	14
	15	95	4	M12	14
	20	105	4	M12	14
	25	115	4	M12	14
	32	140	4	M16	18
	40	150	4	M16	18
	50	165	4	M16	18
	65	185	8	M16	18
	80	200	8	M16	18
	100	235	8	M20	22
	125	270	8	M24	26
	150	300	8	M24	26
	200	360	12	M24	26
	250	425	12	M27	30
	300	485	16	M27	30
350	555	16	M30	33	
400	620	16	M33	36	
450	670	20	M33	36	
500	730	20	M33	36	
600	845	20	M36	39	

	Nominal Size	ØD	Number of Bolts	Diameter of Bolts	Diameter of Bolt Holes
國規 PN1.6 Mpa	10	90	4	M12	14
	15	95	4	M12	14
	20	105	4	M12	14
	25	115	4	M12	14
	32	140	4	M16	18
	40	150	4	M16	18
	50	165	4	M16	18
	65	185	4	M16	18
	80	200	8	M16	18
	100	220	8	M16	18
	125	250	8	M16	18
	150	285	8	M20	22
	200	340	12	M20	22
	250	405	12	M24	26
	300	460	12	M24	26
350	520	16	M24	26	
400	580	16	M27	30	
450	640	20	M27	30	
500	715	20	M30	33	
600	840	20	M33	36	

	Nominal Size	ØD	Number of Bolts	Diameter of Bolts	Diameter of Bolt Holes
國規 PN4.0 Mpa	10	90	4	M12	14
	15	95	4	M12	14
	20	105	4	M12	14
	25	115	4	M12	14
	32	140	4	M16	18
	40	150	4	M16	18
	50	165	4	M16	18
	65	185	8	M16	18
	80	200	8	M16	18
	100	235	8	M20	22
	125	270	8	M24	26
	150	300	8	M24	26
	200	375	12	M27	30
	250	450	12	M30	33
	300	515	16	M30	33
350	580	16	M33	36	
400	660	16	M36	39	
450	685	20	M36	39	
500	755	20	M39	42	
600	890	20	M45	48	